

TAN BOCK KWEE AND SONS SDN BHD

www.tbkssb.com.my

Introduction to Aquamatic Backhoe

&

Solution For Pond / Basin Cleaning And Restoration



INTRODUCTION TO AQUAMATIC BACKHOE

Aquamatic Backhoe (AB) can do backhoe dredging with a backhoe bucket or with a rake. It can remove floating or rooted vegetation, harmful stones and trash from the bottom. With the backhoe equipment it can build discharge areas for suction dredging, when they are located near the shore. Often the bottom needs to be cleaned by backhoe work before the pumping.

By suction dredging AB can pump the soil through a pipeline to a discharge area, which can be located up to one and a half kilometres away. In this process the soil is mixed with large amounts of water, 80-90 % of the total volume. In the discharge area the solid substances are separated from the water. That is why suction dredging requires careful planning of the complete process, starting from the actual pumping work at the site to the separation of solids and removal of clean water after the separation process.

With AB technology it is possible to drive piles from the water. This protects the shores and enables pile driving at a considerable distance from the shore.

AB saves the nature. By using its multipurpose technology it is possible to complete all the jobs at the site with one machine. There is no need to mobilize several one-purpose machines like a single-purpose suction dredger, an excavator on a pontoon, tugboat or assisting vessels for anchorage to the site.

The environmental AB offers economical high quality solutions for restoration work in various water environments.



Suction Dredging



Backhoe dredging

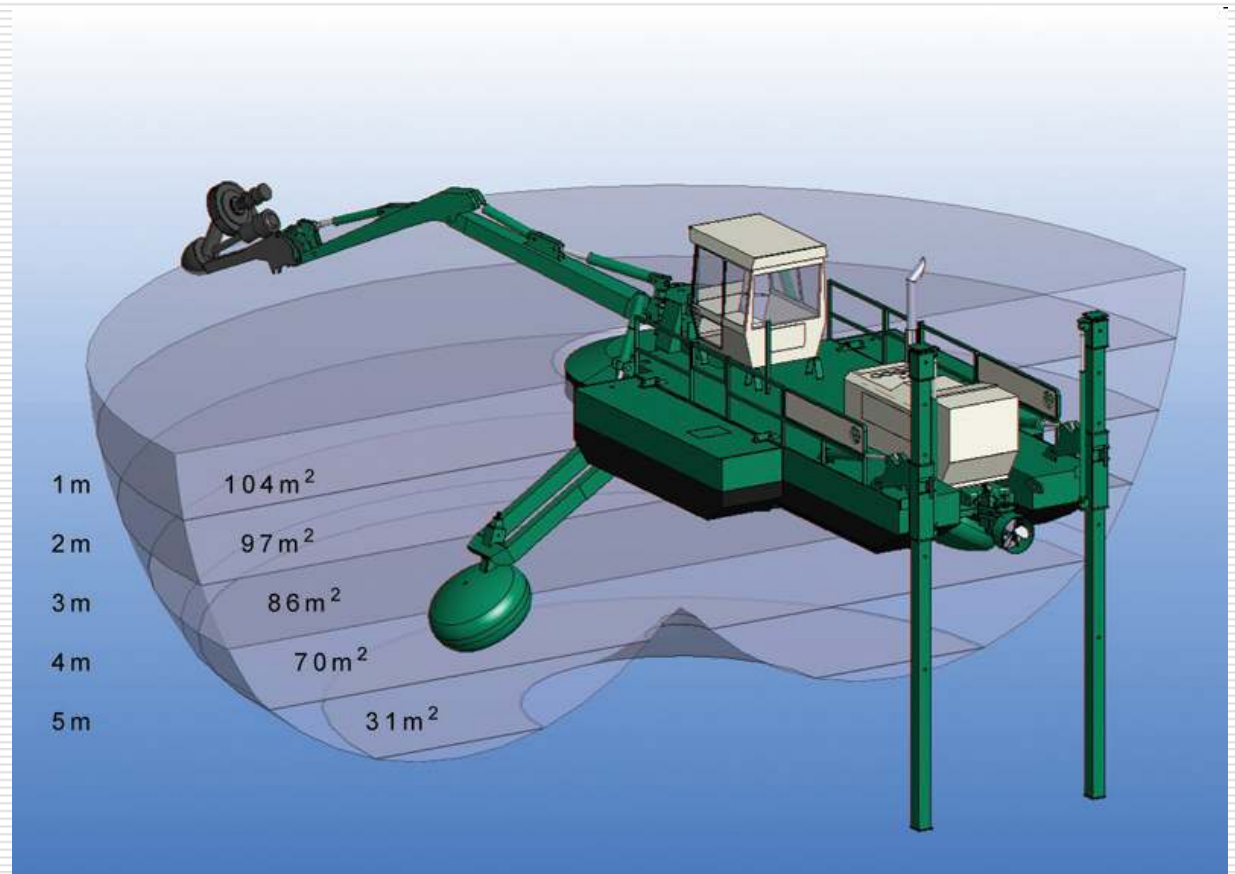


Pile Driving

AQUAMATIC BACKHOE

Aquamatic is designed for shallow waters. The most efficient dredging depth is up to 4 meters and the maximum reach is 5.4 meters.

Aquamatic uses its front spuds and rear legs to anchor itself to the bottom. It can operate in very shallow waters, wetlands or even on dry ground.

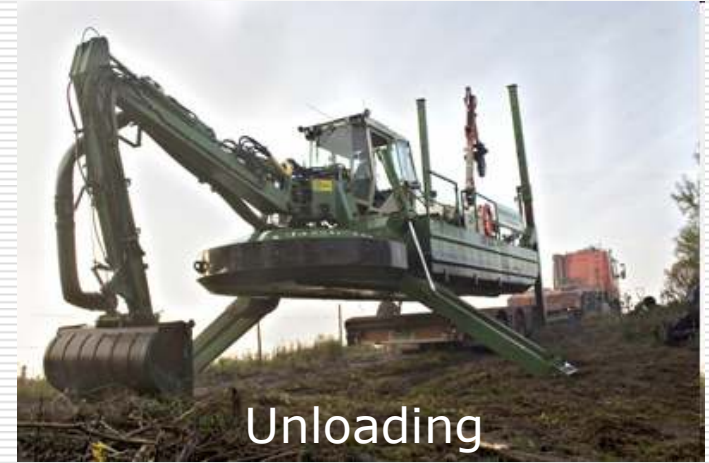


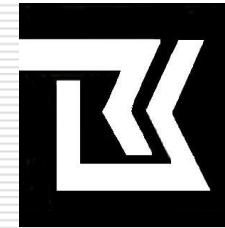
EASY MOBILIZATION OF AQUAMATIC BACKHOE



The machine arrives as a complete unit at the site on a truck or cruises there by itself on water. After arriving at the site on a trailer there is no need for costly crane assistance, because the machine simply "walks" in and out of the water without any outside assistance. The technologies which use several "one-purpose" machines need costly preparation work, like loading and unloading assistance and mounting and dismounting. They also need extra personnel to do this work and each one-purpose machine needs an operator.

The dredger moves independently in water with its own propulsion system and excavator assembly. The multipurpose Aquamatic dredger is immediately ready to start working after arriving at the site without costly down times. It anchors with its own spuds and does not need steel cables for dredging which may disturb passing water traffic.





For More Information About this Aquamatic, please do contact us.

AQUAMATIC

TAN BOCK KWEE AND SONS SDN BHD

LOT 333 KAMPUNG PAYA,

JALAN SEREMBAN, 71000 PORT DICKSON,

NEGERI SEMBILAN.

VOICE: 06-651-6045 FAX: 06-651-2455

EMAIL: tbkssb@pd.jaring.my

WEB: www.tbkssb.com.my



“WE GREEN AND CARE FOR AQUA MARINE”